

1

2

3

4

5

6

A

A

B

B

C

C

D

D

M12x1.75 THREAD x 1.00 DEEP  
C'BORE DIA .494 x .240 DEEP

PRECISION GROUND  
FOR DUAL CONTACT FIT

Ø1.81

Ø1.25

Ø1.0

1.12

Ø10mm  
TIP Ø.77

7/24 TAPER

1.91

0

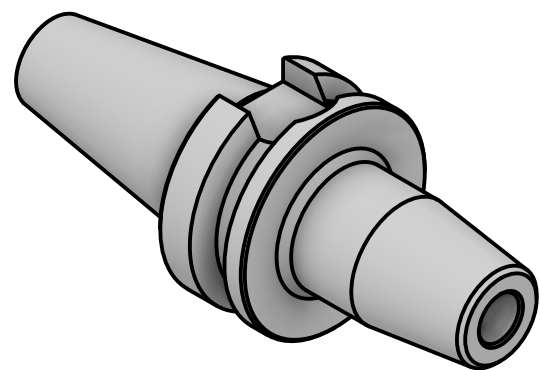
.04

.87

.94

1.53

2.5



NOTES:  
WORKS ON ALL BT30 MACHINES WITH DUAL CONTACT SPINDLES  
COMPATIBLE WITH BIG-PLUS® SPINDLES  
ACCEPTS 10mm SHANK TOOLING  
FOR MORE PRODUCT DETAILS PLEASE GO TO MARITOO.COM  
AND SEARCH ITEM # LISTED ON THIS PRINT

**MARITOO**

www.maritool.com

ITEM# **BT30-SF10-2.5D**

Made In USA / Drawn By FM

1

2

3

4

5

6